

Wey Knife Gate Valve Model VS

Cylinder Operated

Size 2"–24" Standard Configuration

Design: Semi Lugged

Materials: Solid Cast 316 Stainless Steel Body
316 Hard Chrome Coated Gate

Solid Steel Heavy Duty Yoke Topworks (Size 2"-16")
Solid Steel Heavy Duty 4-Post Topworks (Size 18"-24")

Flange Drilling: ANSI 150

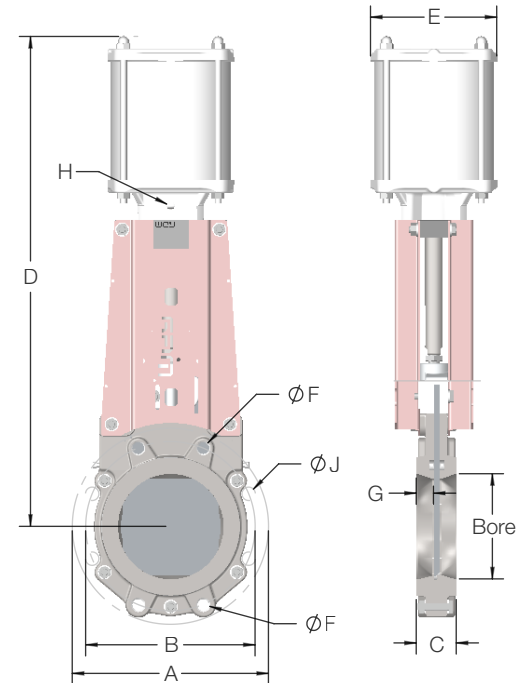
Face-to-Face: TAPPI & MSS-SP81

Pressure Rating: Size 2"-12" 150 psi Shut-off
Size 14"-24" 60 psi Shut-off
Higher Pressure Ratings available

Larger Sizes Available on Request

Suitable for Dead-end Service

Optional Cylinder Sizes available



J = Number of Flange Bolts Outside of Body
⊕ = Number of Blind Tapped Holes

Bore	A	B	C	D	E	F	G	H	# Bolts	J	⊕	Op. Pressure [psi]	Weight [lbs]
2"	6.00	4.75	1.87	16.18	4"	5/8" - 11	–	1/4"	4	–	4	150	18
3"	7.50	6.00	2.00	17.85	4"	5/8" - 11	–	1/4"	4	–	4	150	22
4"	9.00	7.50	2.00	21.06	4"	5/8" - 11	0.86	1/4"	8	4	4	150	29
6"	11.00	9.50	2.25	27.48	6"	3/4" - 10	0.94	1/4"	8	4	4	150	58
8"	13.50	11.75	2.75	32.59	8"	3/4" - 10	1.12	1/4"	8	4	4	150	71
10"	16.00	14.25	2.75	39.56	10"	7/8" - 9	0.75	3/8"	12	6	6	150	101
12"	19.00	17.00	3.00	44.76	10"	7/8" - 9	0.83	3/8"	12	6	6	150	172
14"	21.00	18.50	3.00	52.28	10"	1" - 8	0.78	3/8"	12	6	6	60	238
16"	23.50	21.25	3.50	57.48	12"	1" - 8	0.94	3/8"	12	10	6	60	295
18"	25.00	22.75	3.50	62.90	12"	1 - 1/8" - 7	0.98	3/8"	16	8	8	60	415
20"	27.50	25.00	4.50	72.37	14"	1 - 1/8" - 7	1.37	3/4"	20	10	10	60	595
24"	32.00	29.50	4.50	84.50	16"	1 - 1/4" - 7	1.22	3/4"	20	10	10	60	780