

Wey Knife Gate Valve Model VS

Handwheel Operated

Size 2"–16" Standard Configuration

Design: Semi Lugged

Materials: Solid Cast 316 Stainless Steel Body
316 Hard Chrome Coated Gate

Solid Steel Heavy Duty Yoke Topworks

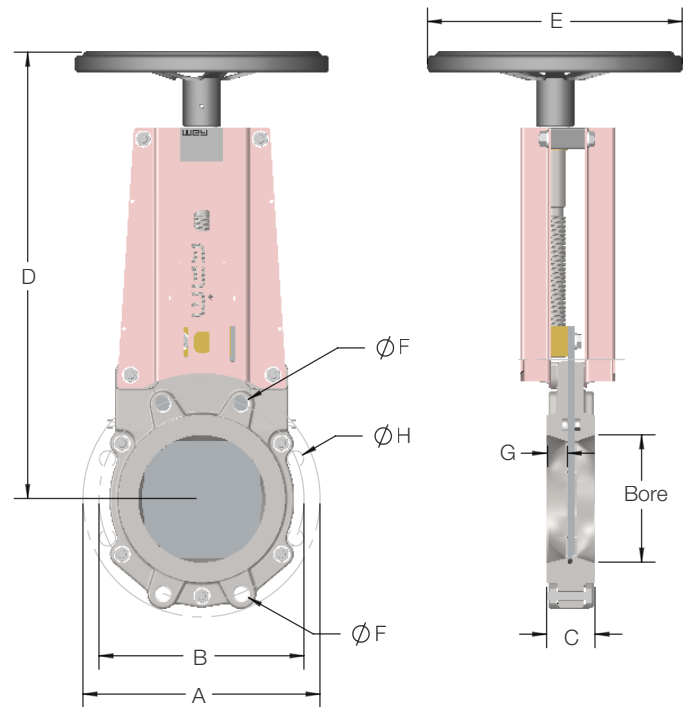
Flange Drilling: ANSI 150

Face-to-Face: TAPPI & MSS-SP81

Pressure Rating: Size 2"-12" 150 psi Shut-off
Size 14"-16" 60 psi Shut-off
Higher Pressure Ratings available

Larger Sizes Available on Request

Suitable for Dead-end Service



H = Number of Flange Bolts Outside of Body
⊕ = Number of Blind Tapped Holes

Bore	A	B	C	D	E	F	G	# Bolts	H	⊕	Op. Pressure [psi]	Weight [lbs]
2"	6.00	4.75	1.87	12.91	5.90	5/8" - 11	–	4	–	4	150	16
3"	7.50	6.00	2.00	14.09	7.87	5/8" - 11	–	4	–	4	150	20
4"	9.00	7.50	2.00	16.18	7.87	5/8" - 11	0.80	8	4	4	150	27
6"	11.00	9.50	2.25	20.70	11.81	3/4" - 10	0.87	8	4	4	150	49
8"	13.50	11.75	2.75	23.85	11.81	3/4" - 10	1.12	8	4	4	150	64
10"	16.00	14.25	2.75	27.40	11.81	7/8" - 9	0.75	12	6	6	150	88
12"	19.00	17.00	3.00	31.18	15.75	7/8" - 9	0.83	12	6	6	150	143
14"	21.00	18.50	3.00	35.55	15.75	1" - 8	0.78	12	6	6	60	196
16"	23.50	21.25	3.50	38.77	15.75	1" - 8	0.90	16	10	6	60	253