

Wey Knife Gate Valve Model VM

Cylinder Operated

Size 2"–24" Standard Configuration

Design: Full Lug

Materials: Solid Cast Ductile Iron Body
304 Stainless Steel Gate

Solid Steel Heavy Duty Yoke Topworks (Size 2"-16")
Solid Steel Heavy Duty 4-Post Topworks (Size 18"-24")

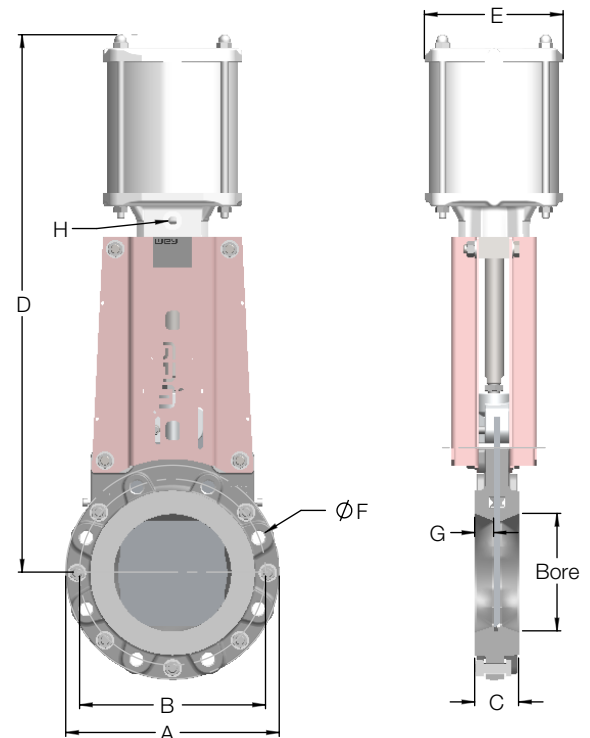
Flange Drilling: ANSI 150

Face-to-Face: TAPPI & MSS-SP81

Pressure Rating: Size 2"-24" 150 psi Shut-off

Suitable for Dead-end Service

Optional Cylinder Sizes Available



⊕ = Number of Blind Tapped Holes in Chest

Bore	A	B	C	D	E	F	G	H	# Bolts	⊕	Op. Pressure [psi]	Weight [lbs]
2"	6.00	4.75	1.87	16.18	4"	5/8" - 11	0.74	1/4"	4	–	150	20
3"	7.50	6.00	2.00	18.66	4"	5/8" - 11	0.78	1/4"	4	–	150	29
4"	9.00	7.50	2.00	21.06	4"	5/8" - 11	0.78	1/4"	8	2	150	40
6"	11.00	9.50	2.25	27.48	6"	3/4" - 10	0.82	1/4"	8	2	150	75
8"	13.50	11.75	2.75	32.59	6"	3/4" - 10	1.10	1/4"	8	2	150	97
10"	16.00	14.25	2.75	39.72	8"	7/8" - 9	0.66	3/8"	12	4	150	145
12"	19.00	17.00	3.00	46.02	10"	7/8" - 9	0.78	3/8"	12	4	150	247
14"	21.00	18.50	3.00	52.48	10"	1" - 8	0.51	3/8"	12	4	150	342
16"	23.50	21.25	3.50	57.71	12"	1" - 8	0.78	3/8"	16	4	150	428
18"	25.00	22.75	3.50	65.51	12"	1 - 1/8" - 7	0.56	3/8"	16	6	150	756
20"	27.50	25.00	4.50	71.53	16"	1 - 1/8" - 7	0.98	3/4"	20	6	150	992
24"	32.00	29.50	4.50	84.05	18"	1 - 1/4" - 7	0.86	3/4"	20	6	150	1442