

## Wey Knife Gate Valve Model VM

## Handwheel Operated

### Size 2"–16" Standard Configuration

Design: Full Lug

Materials: Solid Cast Ductile Iron Body  
304 Stainless Steel Gate

Solid Steel Heavy Duty Yoke Topworks

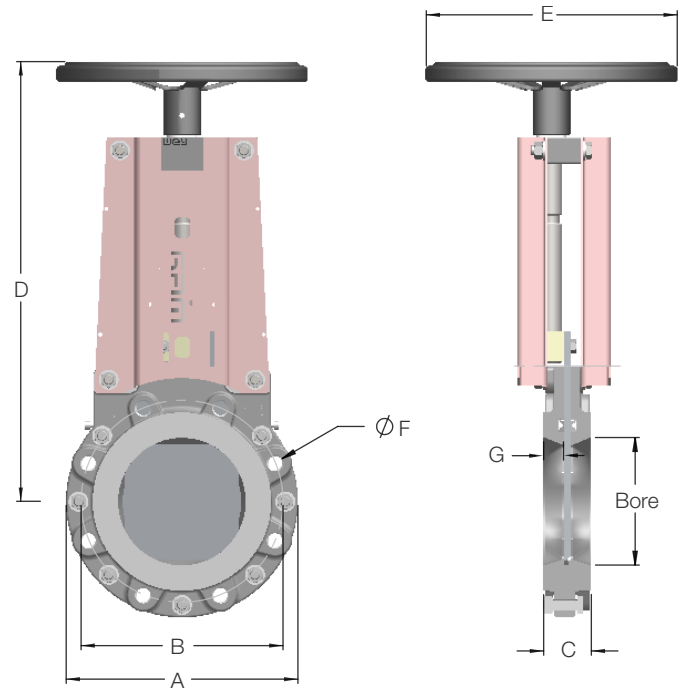
Flange Drilling: ANSI 150

Face-to-Face: TAPPI & MSS-SP81

Pressure Rating: Size 2"-16" 150 psi Shut-off

Larger Sizes Available on Request

Suitable for Dead-end Service



⊕ = Number of Blind Tapped Holes in Chest

| Bore | A     | B     | C    | D     | E     | F         | G    | # Bolts | ⊕ | Op. Pressure [psi] | Weight [lbs] |
|------|-------|-------|------|-------|-------|-----------|------|---------|---|--------------------|--------------|
| 2"   | 6.00  | 4.75  | 1.87 | 12.91 | 5.90  | 5/8" - 11 | 0.74 | 4       | — | 150                | 16           |
| 3"   | 7.50  | 6.00  | 2.00 | 14.09 | 7.87  | 5/8" - 11 | 0.78 | 4       | — | 150                | 20           |
| 4"   | 9.00  | 7.50  | 2.00 | 16.18 | 7.87  | 5/8" - 11 | 0.78 | 8       | 2 | 150                | 27           |
| 6"   | 11.00 | 9.50  | 2.25 | 20.70 | 11.81 | 3/4" - 10 | 0.82 | 8       | 2 | 150                | 49           |
| 8"   | 13.50 | 11.75 | 2.75 | 23.85 | 11.81 | 3/4" - 10 | 1.10 | 8       | 2 | 150                | 64           |
| 10"  | 16.00 | 14.25 | 2.75 | 27.56 | 11.81 | 7/8" - 9  | 0.66 | 12      | 4 | 150                | 88           |
| 12"  | 19.00 | 17.00 | 3.00 | 31.29 | 15.75 | 7/8" - 9  | 0.78 | 12      | 4 | 150                | 143          |
| 14"  | 21.00 | 18.50 | 3.00 | 35.71 | 19.68 | 1" - 8    | 0.51 | 12      | 4 | 150                | 196          |
| 16"  | 23.50 | 21.25 | 3.50 | 38.97 | 19.68 | 1" - 8    | 0.78 | 16      | 4 | 150                | 253          |