

## Wey Knife Gate Valve Model VM

## Bevel Gear Operated

### Size 6"-24" Standard Configuration

Design: Full Lug

Materials: Solid Cast Ductile Iron Body  
304 Stainless Steel Gate

Solid Steel Heavy Duty Yoke Topworks (Size 6"-16")  
Solid Steel Heavy Duty 4-Post Topworks (Size 18"-24")

Flange Drilling: ANSI 150

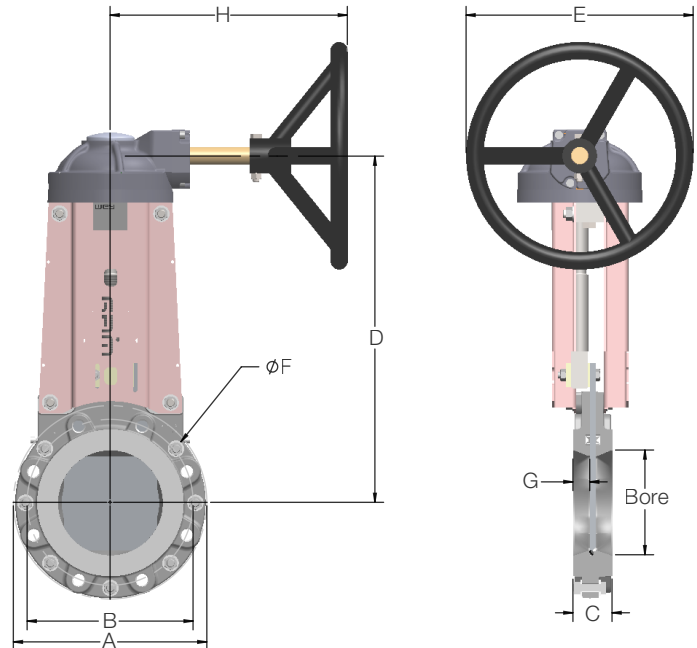
Face-to-Face: TAPPI & MSS-SP81

Pressure Rating: Size 6"-24" 150 psi Shut-off

Suitable for Dead-end Service

Note:

Bevel Gears (3:1) are recommended for 6"-10" valves  
Bevel Gears (4:1) are recommended for 12"-20" valves  
Bevel Gears (6:1) are recommended for 24" and larger valves  
Consult factory for special applications



\* = Rising Stem

⊕ = Number of Blind Tapped Holes in Chest

Bore	A	B	C	D	E	F	G	H	# Bolts	⊕	Op. Pressure [psi]	Weight [lbs]
6"	11.00	9.50	2.25	19.84	12"	3/4" - 10	0.82	11.50	8	2	150	84
8"	13.50	11.75	2.75	22.99	12"	3/4" - 10	1.20	11.50	8	2	150	108
10"	16.00	14.25	2.75	26.69	16"	7/8" - 9	0.66	11.50	12	4	150	153
12"	19.00	17.00	3.00	30.80	16"	7/8" - 9	0.78	14.75	12	4	150	277
14"	21.00	18.50	3.00	35.21	18"	1" - 8	0.51	14.75	12	4	150	354
16"	23.50	21.25	3.50	38.48	18"	1" - 8	0.78	14.75	16	4	150	438
18**	25.00	22.75	3.50	45.76	24"	1 - 1/8" - 7	0.59	16.75	16	6	150	522
20**	27.50	25.00	4.50	48.16	24"	1 - 1/8" - 7	0.98	16.75	20	8	150	743
24**	32.00	29.50	4.50	56.29	24"	1 - 1/4" - 7	0.86	23.50	20	8	150	1168