

## Wey Knife Gate Valve Model VL

## Handwheel Operated

### Size 2"–24" Standard Configuration

Design: Full Lug

Materials: Solid Cast 316 Stainless Steel Body  
316 Hard Chrome Coated Gate

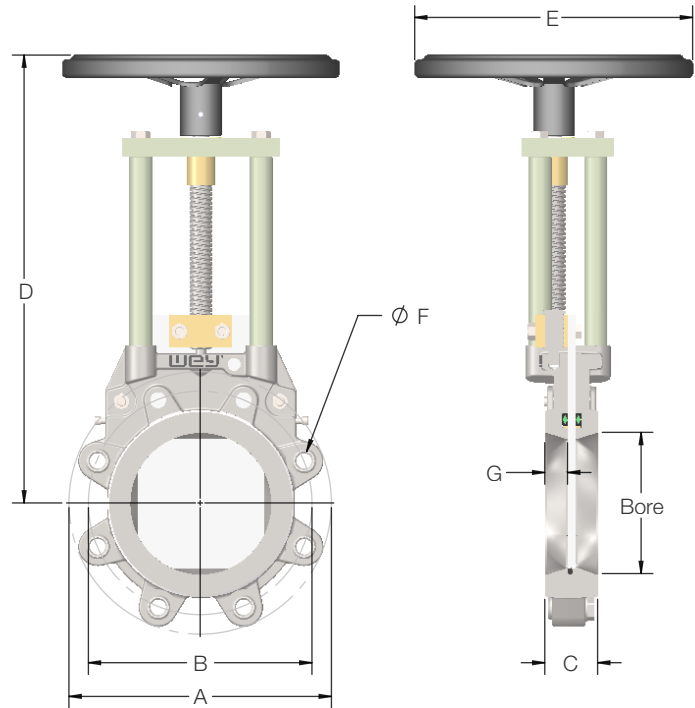
Solid Steel Heavy Duty 4-Post Topworks

Flange Drilling: ANSI 150

Face-to-Face: TAPPI & MSS-SP81

Pressure Rating: Size 2"-12" 150 psi Shut-off  
Size 14"-24" 90 psi Shut-off  
Higher Pressure Ratings available

Suitable for Dead-end Service



⊕ = Number of Blind Tapped Holes in Chest

Bore	A	B	C	D	E	F	G	# Bolts	⊕	Op. Pressure [psi]	Weight [lbs]
2"	6.00	4.75	1.87	10.90	6.30	5/8" - 11	–	4	–	150	14
3"	7.50	6.00	2.00	12.44	7.87	5/8" - 11	–	4	–	150	21
4"	9.00	7.50	2.00	15.47	7.87	5/8" - 11	0.86	8	2	150	30
6"	11.00	9.50	2.25	19.57	11.81	3/4" - 10	0.94	8	2	150	53
8"	13.50	11.75	2.75	22.72	11.81	3/4" - 10	1.12	8	2	150	74
10"	16.00	14.25	2.75	26.65	11.81	7/8" - 9	0.75	12	4	150	102
12"	19.00	17.00	3.00	29.80	15.75	7/8" - 9	0.83	12	4	150	153
14"	21.00	18.50	3.00	33.30	15.75	1" - 8	0.78	12	4	90	214
16"	23.50	21.25	3.50	36.61	15.75	1" - 8	0.94	12	4	90	301
18"	25.00	22.75	3.50	42.32	19.68	1 - 1/8" - 7	0.98	16	6	90	425
20"	27.50	25.00	4.50	45.61	19.68	1 - 1/8" - 7	1.37	20	6	90	583
24"	32.00	29.50	4.50	54.17	24.80	1 - 1/8" - 7	1.22	20	6	90	767