

## Wey Knife Gate Valve Model VL

## Bevel Gear Operated

### Size 6"–36" Standard Configuration

Design: Full Lug

Materials: Solid Cast 316 Stainless Steel Body  
316 Hard Chrome Coated Gate

Solid Steel Heavy Duty 4-Post Topworks

Flange Drilling: ANSI 150

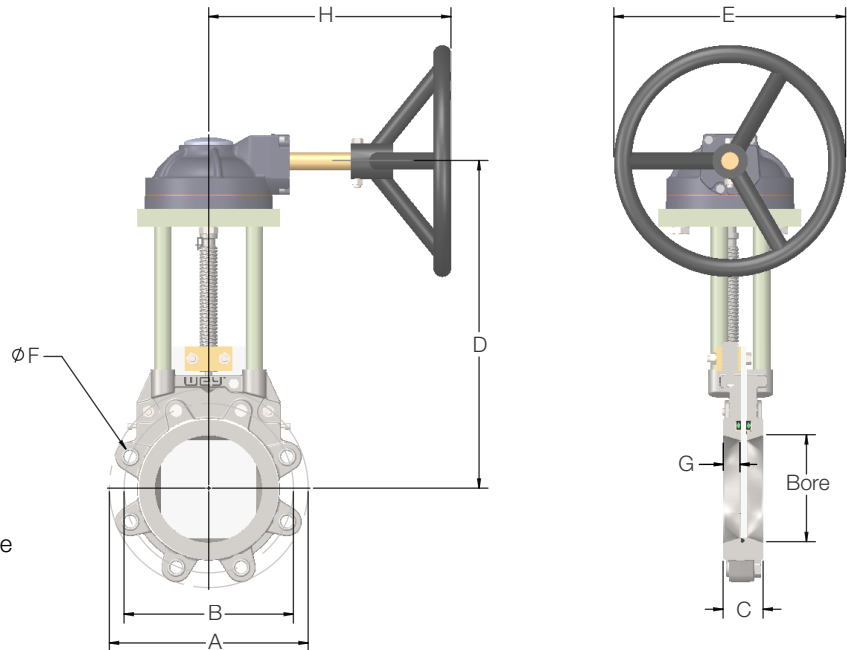
Face-to-Face: TAPPI & MSS-SP81

Pressure Rating: Size 6"-12" 150 psi Shut-off  
Size 14"-36" 90 psi Shut-off  
Higher Pressure Ratings available

Suitable for Dead-end Service

Note:

Bevel Gears (3:1) are recommended for 6"-10" valves  
Bevel Gears (4:1) are recommended for 12"-20" valves  
Bevel Gears (6:1) are recommended for 24" and larger valves  
Consult factory for special applications



⊕ = Number of Blind Tapped Holes in Chest

Bore	A	B	C	D	E	F	G	H	# Bolts	⊕	Op. Pressure [psi]	Weight [lbs]
6"	11.00	9.50	2.25	18.15	12"	3/4" - 10	0.94	11.50	8	2	150	88
8"	13.50	11.75	2.75	21.29	12"	3/4" - 10	1.12	11.50	8	2	150	110
10"	16.00	14.25	2.75	24.84	16"	7/8" - 9	0.75	11.50	12	4	150	153
12"	19.00	17.00	3.00	28.93	16"	7/8" - 9	0.83	14.75	12	4	150	249
14"	21.00	18.50	3.00	33.42	18"	1" - 8	0.78	14.75	12	4	90	358
16"	23.50	21.25	3.50	35.74	18"	1" - 8	0.94	14.75	12	4	90	449
18"	25.00	22.75	3.50	40.75	24"	1 - 1/8" - 7	0.98	16.75	16	6	90	572
20"	27.50	25.00	4.50	44.66	24"	1 - 1/8" - 7	1.37	16.75	20	6	90	747
24"	32.00	29.50	4.50	53.75	24"	1 - 1/4" - 7	1.22	23.50	20	6	90	1062
30"	38.75	36.00	4.62	63.77	24"	1 - 1/4" - 7	0.98	23.50	28	10	90	1460
36"	46.00	42.75	4.62	84.50	30"	1 - 1/2" - 6	1.77	23.50	32	10	90	1910