

Wey Knife Gate Valve Model SG

Cylinder Operated

Size 6"–24" Standard Configuration

Design: Full Flange Body

Materials: Solid Cast Body
Hardened 440 Gate with hardened 410 Seat

Full O-port Body and Gate
Optional V-Port Gate available

Solid Steel Heavy Duty 4-Post Topworks

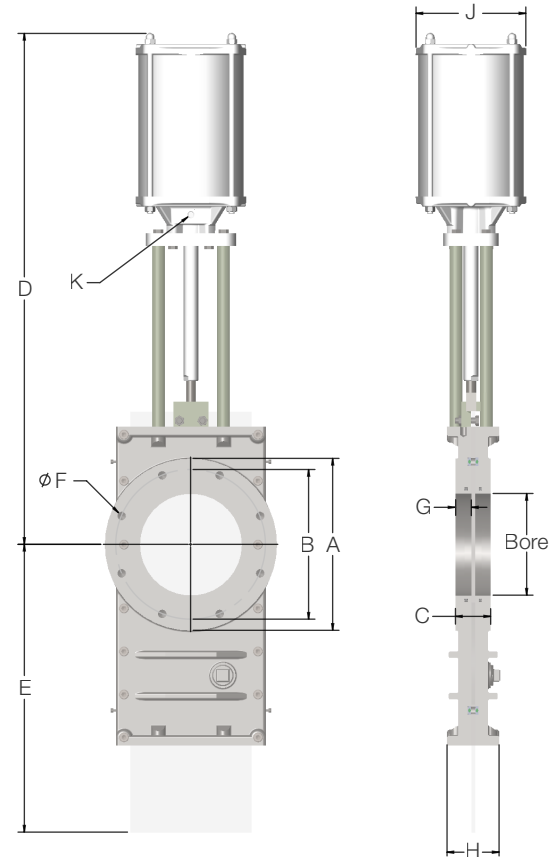
Flange Drilling: ANSI 150

Face-to-Face: TAPPI & MSS-SP81

Pressure Rating: Size 2"-12" 150 psi Shut-off
Size 14"-24" 90 psi Shut-off

Suitable for Dead-end Service

Optional Cylinder Sizes Available



⊕ = Number of Blind Tapped Holes in Chest

Bore	A	B	C	D	E	F	G	H	J	K	# Bolts	⊕	Op. Pressure [psi]	Weight [lbs]
2"	6.00	4.75	1.87	22.25	8.90	5/8" - 11	0.63	2.75	4"	1/4"	4	—	150	48
3"	7.50	6.00	2.00	27.25	10.58	5/8" - 11	0.63	3.54	4"	1/4"	4	—	150	85
4"	9.00	7.50	2.00	29.00	12.37	5/8" - 11	0.63	3.54	6"	1/4"	8	4	150	115
6"	11.00	9.50	2.25	35.75	15.75	3/4" - 10	0.75	4.33	8"	3/8"	8	4	150	245
8"	13.50	11.75	2.75	38.75	22.33	3/4" - 10	0.87	4.84	10"	3/8"	8	4	150	365
10"	16.00	14.25	2.75	48.75	27.45	7/8" - 9	0.87	5.75	12"	3/8"	12	8	150	513
12"	19.00	17.00	3.00	56.00	32.67	7/8" - 9	0.87	5.75	14"	3/4"	12	8	150	726
14"	21.00	18.50	3.00	61.00	36.33	1" - 8	0.87	5.75	16"	3/4"	12	8	90	971
16"	23.50	21.25	3.50	69.00	43.00	1" - 8	1.00	7.87	18"	3/4"	16	8	90	1420
18"	25.00	22.75	3.50	75.50	49.23	1 - 1/8" - 7	1.00	9.45	20"	3/4"	16	8	90	2230
20"	27.50	25.00	4.50	81.00	59.39	1 - 1/8" - 7	1.37	9.85	24"	3/4"	20	12	90	2660
24"	32.00	29.50	4.50	84.75	64.20	1 - 1/8" - 7	1.50	10.63	26"	3/4"	20	12	90	3300