

## Wey Shear Gate Valve Model SG

## Handwheel Operated

### Size 2"–12" Standard Configuration

Design: Full Flange Body

Materials: Solid Cast Body  
Hardened 440 Gate with hardened 410 Seat

Full O-port Body and Gate  
Optional V-Port Gate available

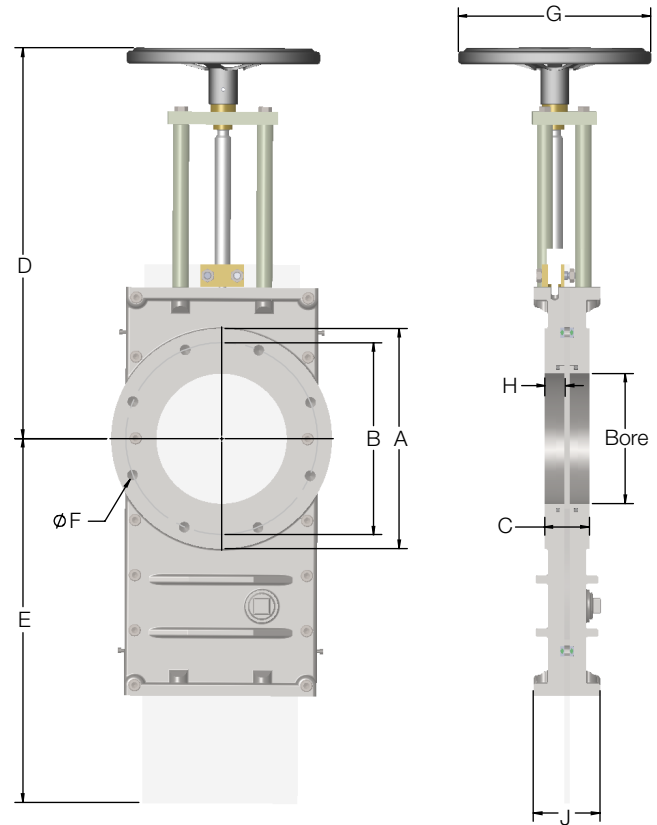
Solid Steel Heavy Duty 4-Post Topworks

Flange Drilling: ANSI 150

Face-to-Face: TAPPI & MSS-SP81

Pressure Rating: Size 2"–12" 150 psi Shut-off

Suitable for Dead-end Service



⊕ = Number of Blind Tapped Holes in Chest

Bore	A	B	C	D	E	F	G	H	J	# Bolts	⊕	Op. Pressure [psi]	Weight [lbs]
2"	6.00	4.75	1.87	12.75	8.90	5/8" - 11	7.87	0.63	2.75	4	–	150	38
3"	7.50	6.00	2.00	15.30	10.58	5/8" - 11	7.87	0.63	3.54	4	–	150	70
4"	9.00	7.50	2.00	16.54	12.37	5/8" - 11	7.87	0.63	3.54	8	4	150	90
6"	11.00	9.50	2.25	20.56	15.75	3/4" - 10	9.84	0.75	4.33	8	4	150	170
8"	13.50	11.75	2.75	23.59	22.33	3/4" - 10	11.81	0.87	5.51	8	4	150	270
10"	16.00	14.25	2.75	27.45	27.45	7/8" - 9	11.81	0.87	5.51	12	8	150	370
12"	19.00	17.00	3.00	32.67	31.25	7/8" - 9	15.75	0.87	5.75	12	8	150	520