

## Wey Knife Gate Valve Model SG

## Bevel Gear Operated

### Size 6"–24" Standard Configuration

Design: Full Flange Body

Materials: Solid Cast Body  
Hardened 440 Gate with hardened 410 Seat

Full O-port Body and Gate  
Optional V-Port Gate available

Solid Steel Heavy Duty 4-Post Topworks

Flange Drilling: ANSI 150

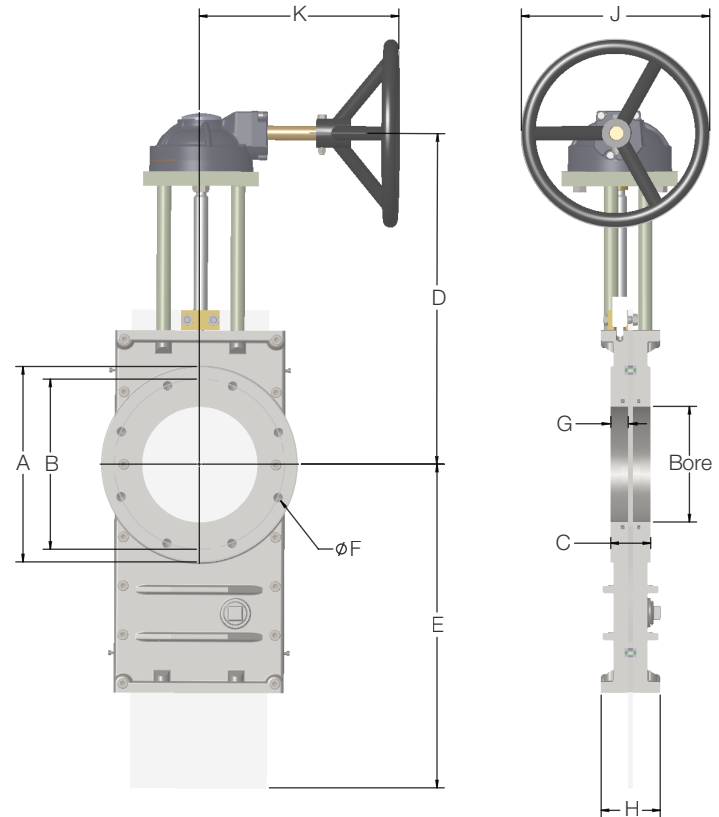
Face-to-Face: TAPPI & MSS-SP81

Pressure Rating: Size 6"-12" 150 psi Shut-off  
Size 14"-24" 90 psi Shut-off

Suitable for Dead-end Service

**Note:**

Bevel Gears (3:1) are recommended for 6"-10" valves  
Bevel Gears (4:1) are recommended for 12"-20" valves  
Bevel Gears (6:1) are recommended for 24" and larger valves  
Consult factory for special applications



⊕ = Number of Blind Tapped Holes in Chest

Bore	A	B	C	D	E	F	G	H	J	K	# Bolts	⊕	Op. Pressure [psi]	Weight [lbs]
6"	11.00	9.50	2.25	28.75	15.75	3/4" - 10	0.75	4.33	12"	11.50	8	4	150	196
8"	13.50	11.75	2.75	32.75	22.33	3/4" - 10	0.87	4.84	12"	11.50	8	4	150	296
10"	16.00	14.25	2.75	36.00	27.45	7/8" - 9	0.87	5.75	18"	12.75	12	8	150	400
12"	19.00	17.00	3.00	41.00	32.67	7/8" - 9	0.87	5.90	18"	14.75	12	8	150	603
14"	21.00	18.50	3.00	45.50	36.33	1" - 8	0.87	7.17	18"	14.75	12	8	90	733
16"	23.50	21.25	3.50	50.50	43.00	1" - 8	1.00	7.87	18"	14.75	16	8	90	983
18"	25.00	22.75	3.50	54.50	49.23	1 - 1/8" - 7	1.00	9.45	18"	14.75	16	8	90	1500
20"	27.50	25.00	4.50	58.00	59.39	1 - 1/8" - 7	1.37	9.85	24"	23.50	20	12	90	1843
24"	32.00	29.50	4.50	63.50	64.20	1 - 1/8" - 7	1.50	10.63	24"	23.50	20	12	90	2419