

Wey Knife Gate Valve Model DB

Cylinder Operated

Size 3"–30" Standard Configuration

Design: Full Lug

Materials: Solid Cast 316 Stainless Steel Body
316 Hard Chrome Coated Gate

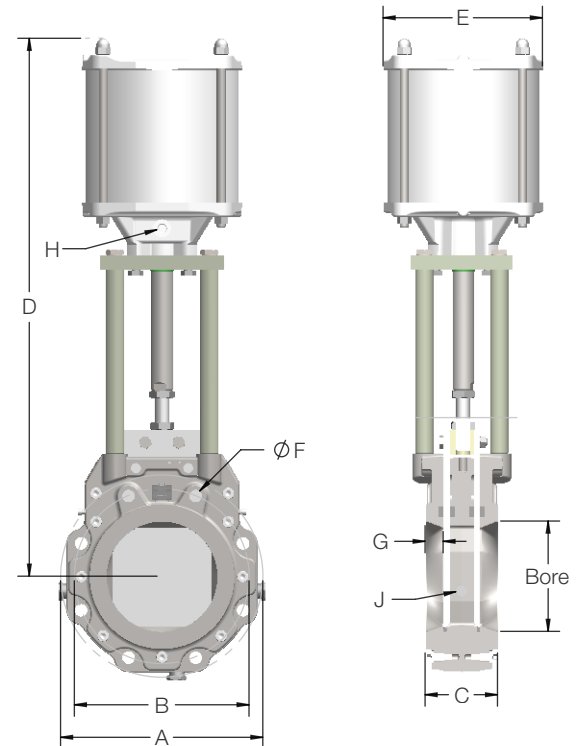
Solid Steel Heavy Duty 4-Posts Topworks

Flange Drilling: ANSI 150

Pressure Rating: Size 3"-12" 150 psi Shut-off
Size 14"-30" 90 psi Shut-off

Suitable for Dead-end Service

Optional Cylinder Sizes Available



J = Purge Port Size (NPT)

⊕ = Number of Blind Tapped Holes in Chest

Bore	A	B	C	D	E	F	G	H	J	# Bolts	⊕	Op. Pressure [psi]	Weight [lbs]
3"	7.50	6.00	3.23	18.42	6"	5/8" - 11	—	3/8"	3/8"	4	—	150	33
4"	9.00	7.50	3.42	22.44	8"	5/8" - 11	0.86	3/8"	3/8"	8	2	150	55
6"	11.00	9.50	3.93	28.93	10"	3/4" - 10	0.94	1/2"	1/2"	8	2	150	97
8"	13.50	11.75	4.45	34.05	10"	3/4" - 10	1.12	1/2"	1/2"	8	2	150	139
10"	16.00	14.25	4.72	41.06	12"	7/8" - 9	0.75	1/2"	1/2"	12	4	150	231
12"	19.00	17.00	5.03	46.37	12"	7/8" - 9	0.83	1/2"	1/2"	12	4	150	297
14"	21.00	18.50	5.31	52.99	14"	1" - 8	0.78	1/2"	1/2"	12	4	90	375
16"	23.50	21.25	5.82	58.18	16"	1" - 8	0.94	3/4"	1/2"	12	4	90	474
18"	25.00	22.75	6.18	63.81	18"	1-1/8" - 7	0.98	3/4"	1/2"	16	6	90	595
20"	27.50	25.00	7.24	74.25	20"	1-1/8" - 7	1.37	3/4"	1/2"	20	6	90	767
24"	32.00	29.50	7.55	86.25	24"	1-1/4" - 7	1.22	3/4"	1/2"	20	6	90	1190
30"	38.75	36.00	8.79	97.50	26"	1-1/4" - 7	0.98	3/4"	1/2"	28	10	90	1875