

Wey Knife Gate Valve Model DB

Handwheel Operated

Size 3"–12" Standard Configuration

Design: Full Lug

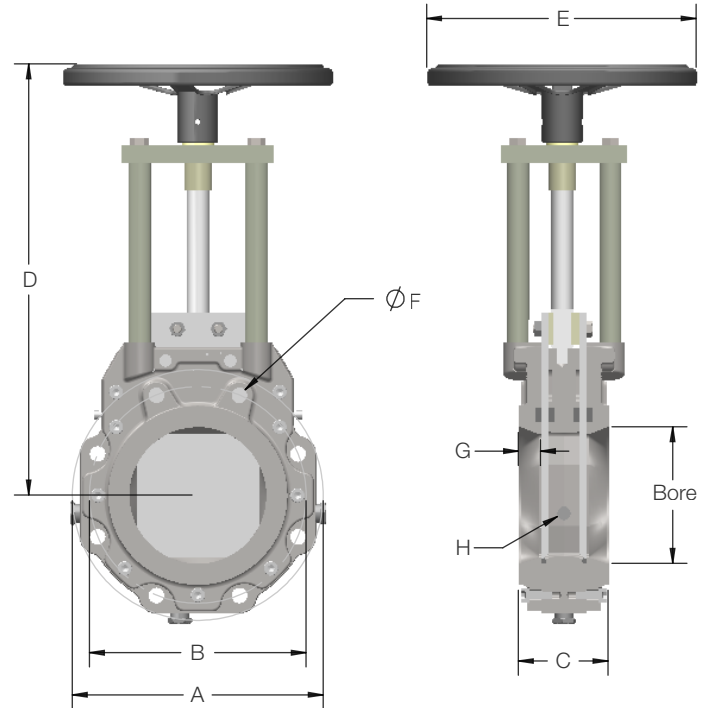
Materials: Solid Cast 316 Stainless Steel Body
316 Hard Chrome Coated Gate

Solid Steel Heavy Duty 4-Posts Topworks

Flange Drilling: ANSI 150

Pressure Rating: Size 3"-12" 150 psi Shut-off

Suitable for Dead-end Service



H = Purge Port Size (NPT)

⊕ = Number of Blind Tapped Holes in Chest

Bore	A	B	C	D	E	F	G	H	# Bolts	⊕	Op. Pressure [psi]	Weight [lbs]
3"	7.50	6.00	3.23	12.44	7.87	5/8" - 11	–	3/8"	4	–	150	33
4"	9.00	7.50	3.42	15.47	11.81	5/8" - 11	0.86	3/8"	8	2	150	55
6"	11.00	9.50	3.93	19.57	15.75	3/4" - 10	0.94	1/2"	8	2	150	95
8"	13.50	11.75	4.45	22.72	15.75	3/4" - 10	1.12	1/2"	8	2	150	128
10"	16.00	14.25	4.72	26.65	15.75	7/8" - 9	0.75	1/2"	12	4	150	198
12"	19.00	17.00	5.03	29.80	19.89	7/8" - 9	0.83	1/2"	12	4	150	320