

Wey Knife Gate Valve Model DB

Bevel Gear Operated

Size 6"–30" Standard Configuration

Design: Full Lug

Materials: Solid Cast 316 Stainless Steel Body
316 Hard Chrome Coated Gate

Solid Steel Heavy Duty 4-Posts Topworks

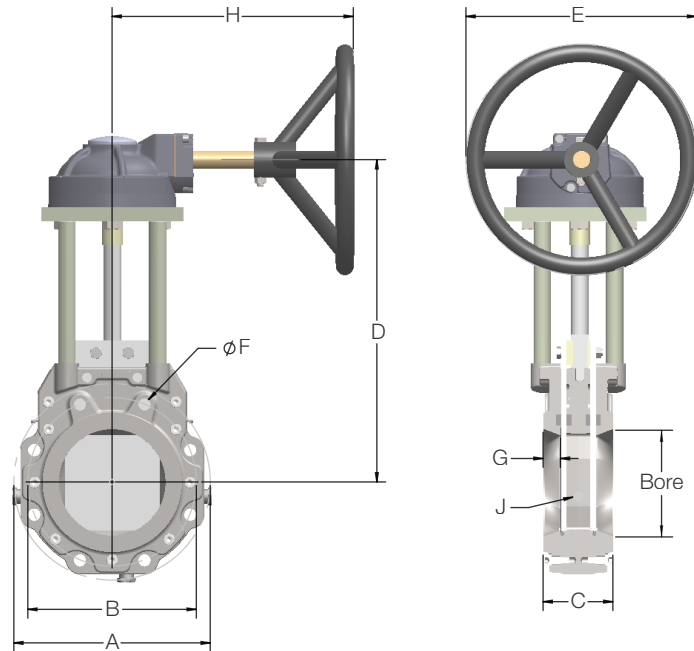
Flange Drilling: ANSI 150

Pressure Rating: Size 6"-12" 150 psi Shut-off
Size 14"-30" 90 psi Shut-off

Suitable for Dead-end Service

Note:

Bevel Gears (3:1) are recommended for 6"-10" valves
Bevel Gears (4:1) are recommended for 12"-20" valves
Bevel Gears (6:1) are recommended for 24" and larger valves
Consult factory for special applications



J = Purge Port Size (NPT)

⊕ = Number of Blind Tapped Holes in Chest

Bore	A	B	C	D	E	F	G	H	J	# Bolts	⊕	Op. Pressure [psi]	Weight [lbs]
6"	11.00	9.50	3.93	18.15	12"	3/4" - 10	0.94	11.50	1/2"	8	2	150	121
8"	13.50	11.75	4.45	21.29	12"	3/4" - 10	1.12	11.50	1/2"	8	2	150	154
10"	16.00	14.25	4.72	24.84	16"	7/8" - 9	0.75	11.50	1/2"	12	4	150	224
12"	19.00	17.00	5.03	28.93	16"	7/8" - 9	0.83	14.75	1/2"	12	4	150	305
14"	21.00	18.50	5.31	33.42	18"	1" - 8	0.78	14.75	1/2"	12	4	90	394
16"	23.50	21.25	5.82	35.74	18"	1" - 8	0.94	14.75	1/2"	12	4	90	482
18"	25.00	22.75	6.18	40.75	18"	1-1/8" - 7	0.98	14.75	1/2"	16	6	90	640
20"	27.50	25.00	7.24	44.66	24"	1-1/8" - 7	1.37	16.75	1/2"	20	6	90	811
24"	32.00	29.50	7.55	53.75	24"	1-1/4" - 7	1.22	23.50	1/2"	20	6	90	1246
30"	38.75	36.00	8.79	63.77	24"	1-1/4" - 7	0.98	23.50	1/2"	28	10	90	1950