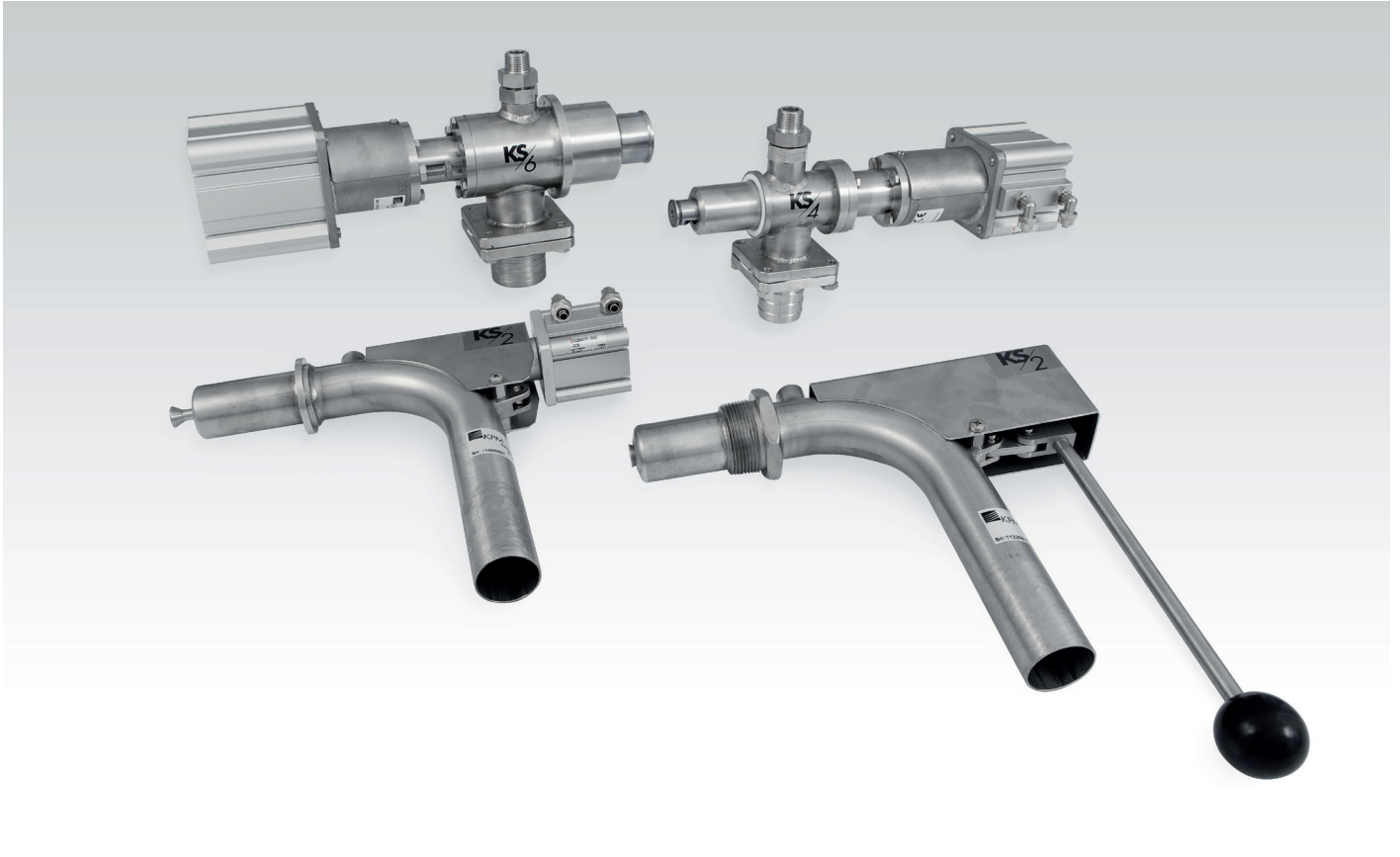


KS/2-4-6 Pulp Samplers

KPM Products | Process Measurements



ABB's KPM Pulp Samplers provide representative sampling direct from the process line – safe and without operator handling. The sampler breaks through the water layer inside the pipe, eliminating dewatering from the sampling process.

All pulp samplers within the KPM product range have a unique metal-metal piston and cylinder without o-rings or seals, which guarantee long lifetime. A separate water connection allows cleaning of the sample valve after a sampling. Flushing ensures a repeatable and representative sampling procedure. As the samplers does not have seals, KPM pulp samplers are maintenance free.

Accurate and repeatable laboratory result is vital for consistency transmitter calibration, and representative samples are the base for laboratory analyses. KPM pulp samplers make sampling harmless and in a clean action way, and of course give a representative sample.

Benefits

- Screened and unscreened pulp with knots,
- shives and trash allowed
- Cutting edge in piston
- Pneumatic operation
- Adjustable stroke length and piston orientation
- Flushing water connection
- Switch included to operate pneumatic sampler
- Material SS 316L, Titanium available on request

For more information, please contact:

ABB OY, KPM

Kettukalliontie 9 E

FIN-87100 Kajaani

FINLAND

Tel: +358 10 22 11

E-mail: fi-kpm@fi.abb.com

www.abb.com/pulpandpaper

The information provided in this data sheet contains descriptions or characterizations of performance which may change as a result of further development of the products. Availability and technical specifications are subject to change without notice.

© 2016 by ABB Inc.